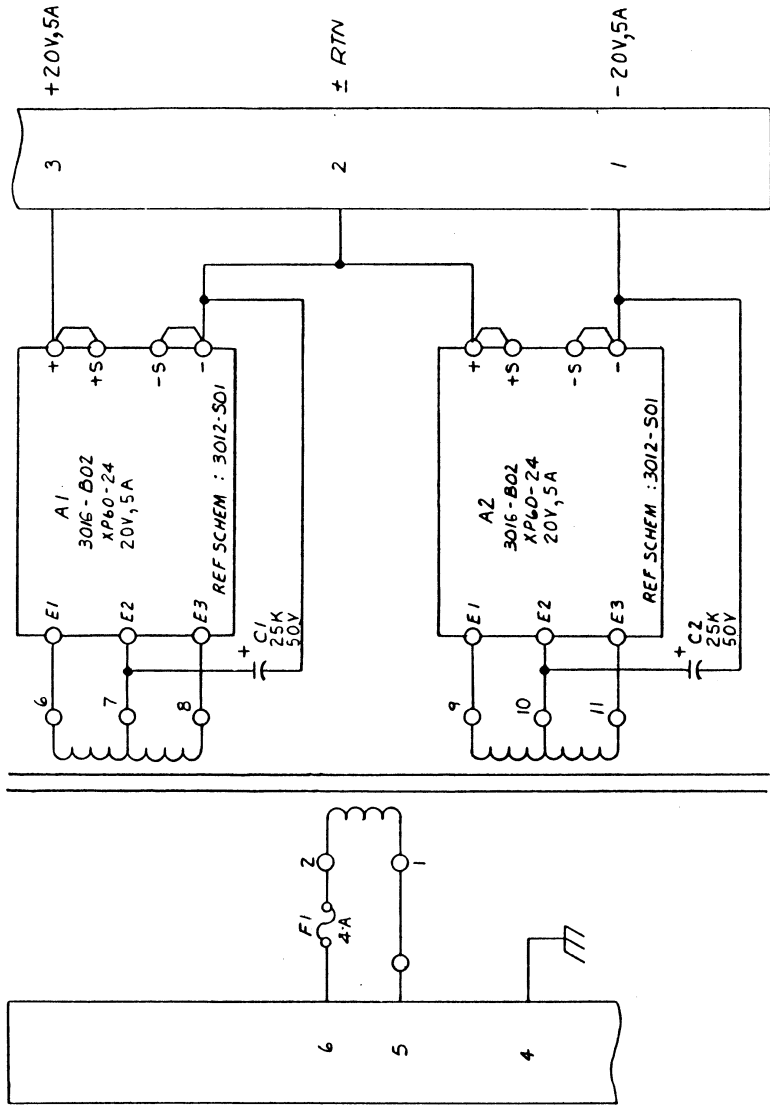


REV	DATE	BY	SCALE	DATE	APPROVED BY	ISSUED BY	
			N/A	7/22/89		VPL	
			TITLE				MOD4 BLOCK DIAGRAM
			COMMENTS				ISSUES 7
							MOD4B569

REV. BY	REV. CNS
AC 6M	BM
DESCRIPTION	DATE
INITIAL RELEASE	8/67

TBI
4225-A02
PART OF
TBI



NOTES: UNLESS OTHERWISE SPECIFIED

SMART THEATRE SYSTEMS
POWER SUPPLY SCHEMATIC
MOD IV MODEL XP-60

